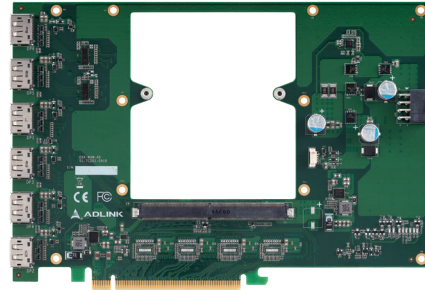


# EGX-MXM-AD

*PCIe-to-MXM adapter supporting ADLINK Mobile PCI Express Modules with NVIDIA® Quadro® embedded GPUs*

## Features

- MXM 3.1 Type A, Type B, Type B+ compatible
- Supports NVIDIA® Quadro® embedded GPUs
- 6 DP++ connectors support up to 4 display outputs
- PCIe Gen4 support (optional, dependent on GPU specifications)



## Introduction

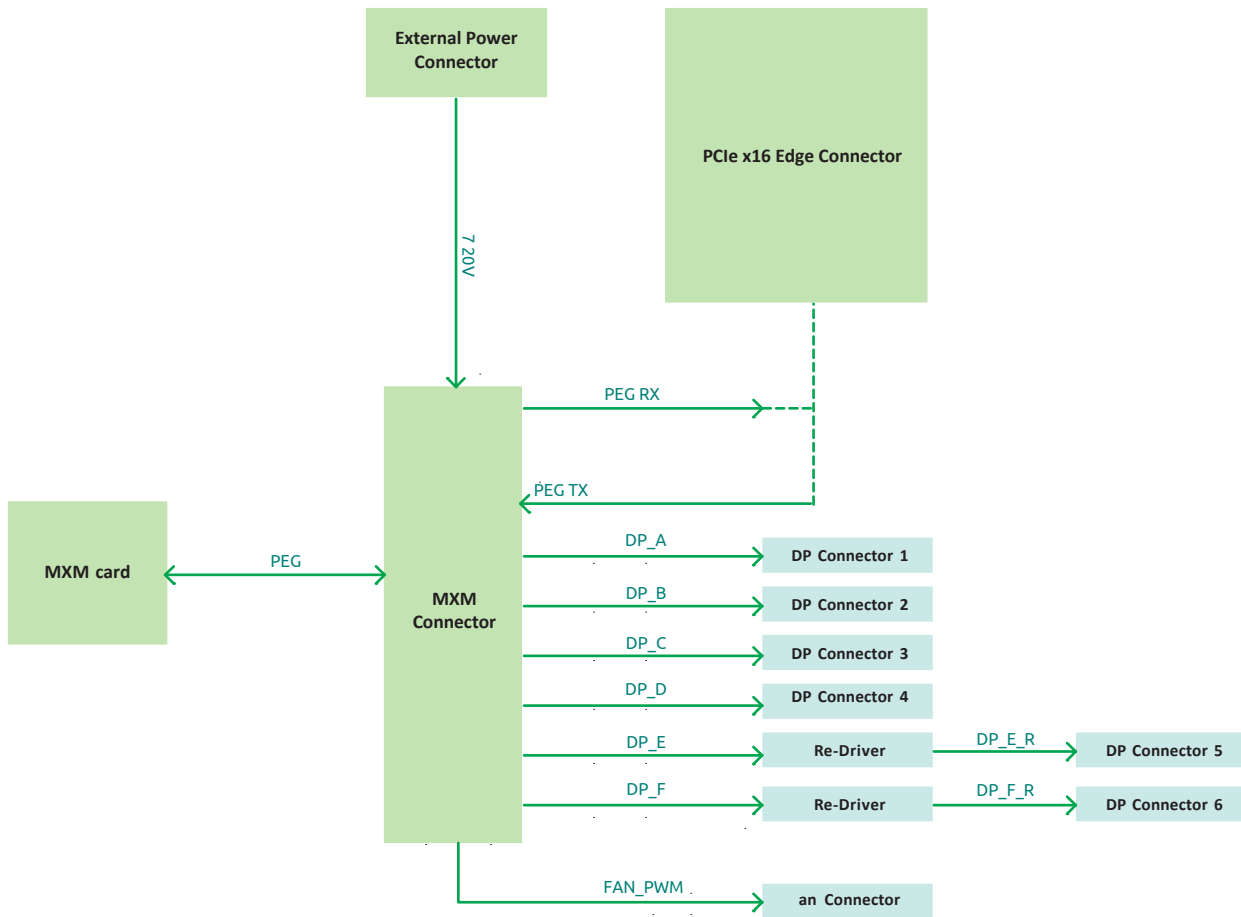
The EGX-MXM-AD is an PCIe adapter supporting ADLINK NVIDIA® Quadro® MXM 3.1 Type A, Type B, and Type B+ GPU modules for quick validation and early development purposes on your AI applications. The following modules are supported: EGX-MXM-P1000, EGX-MXM-P2000, EGX-MXM-T1000, EGX-MXM-RTX3000, and EGX-MXM-RTX5000. A reference thermal solution is available.

## Specifications

	EGX-MXM-AD
Supported MXM Modules	MXM 3.1 Type A, Type B, Type B+ compatible
Display Outputs	6 DP++ via DP 1.4 connectors, max. 4 simultaneous outputs
Resolution	Max. 7680 x 4320, dependent on MXM module
Fan Connectors	12V DC fan power connector
Ext. Power Input	Supports external power for MXM module, up to 120W
PCIe	PCIe Gen3 x16 (Gen4 design reserved)
Dimensions	235.95mm x 162.2mm
Operation System	Windows 10, Linux driver supported
Operating Temperature	-40°C to 85°C
Operating Humidity	~95% @40C (non-condensing)
Storage Temperature	-40°C to 85°C
ESD	Contact +/- 4KV, Air +/- 8KV
EMC	CE & FCC Class B

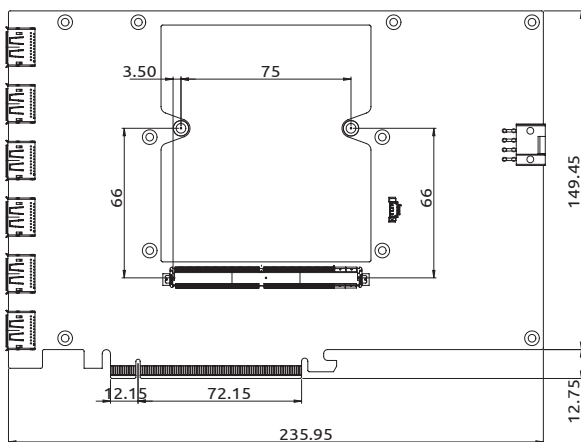
# EGX-MXM-AD

## Functional Diagram



## Mechanical Drawing

Top Side



Bottom Side form Top View

